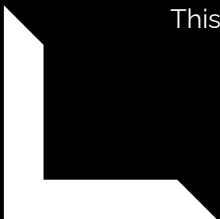


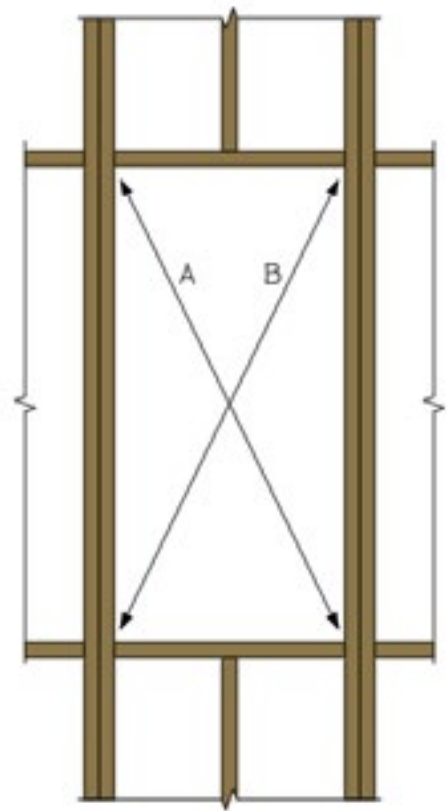
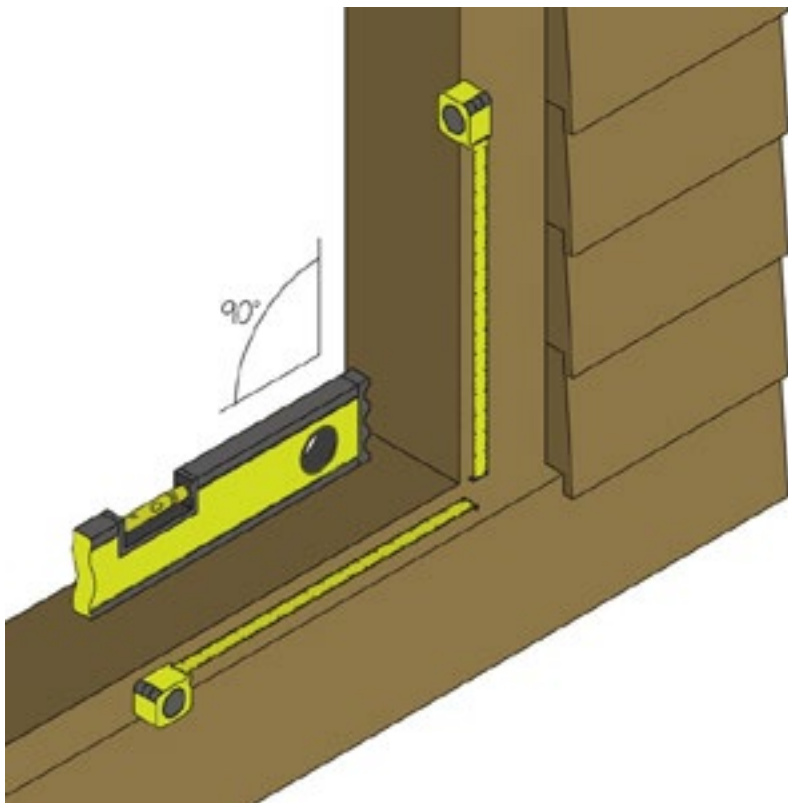
FIXED WINDOW INSTALLATION GUIDE

This guide is officially approved by AEROFRAME INC. Installers are expected to follow its instructions carefully. AEROFRAME is not responsible for any errors or omissions made by installers.



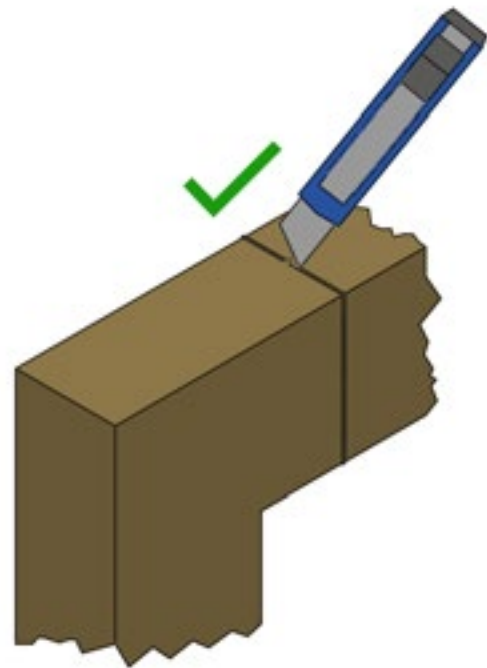
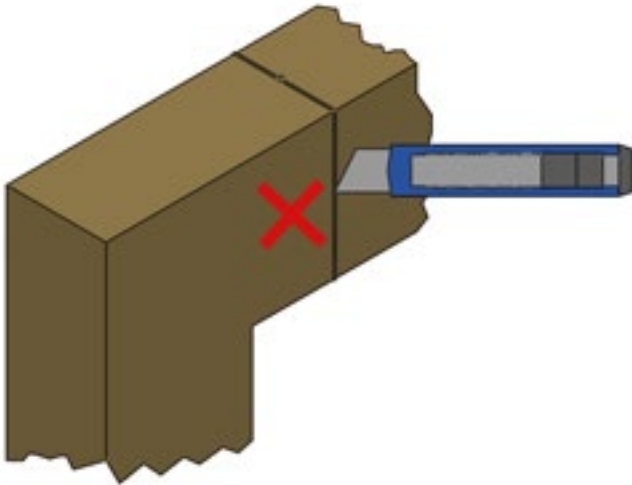
INSPECT ROUGH OPENING

- A. Confirm that the rough opening matches the final shop drawings.
- B. Check the rough opening and measure for square, plumb, and correct sizing. The maximum deviation should not exceed 1/4".
- C. Verify window alignment and elevation for adjacent openings (both horizontal and vertical).
- D. Ensure the exterior face of the sheathing is flat and free of any twists.
- E. The sill rough opening must not be crowned or sagging.
- F. The bottom of the sill must be level and should not slope toward the interior.
- G. The wood frame opening must be dry, undamaged, and free of debris.



REMOVE PACKAGING AND INSPECTING WINDOW

- A. Place window/door frames on clean tables or sawhorses, ensuring they are free of debris that could scratch the paint.
- B. Use an Olfa knife to cut the window packaging (cardboard). Cut along the outside jamb face, not along the window face.
- C. Remove corner covers, shipping blocks, and cardboard wrap.

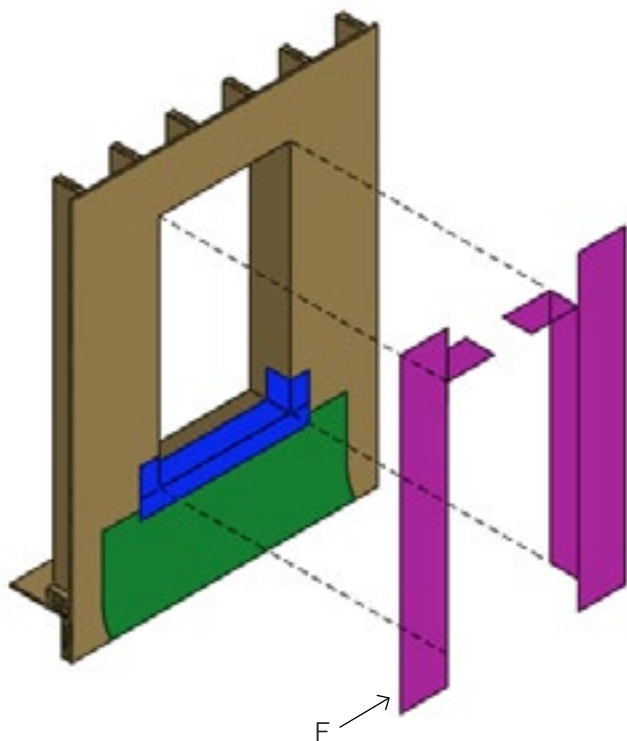
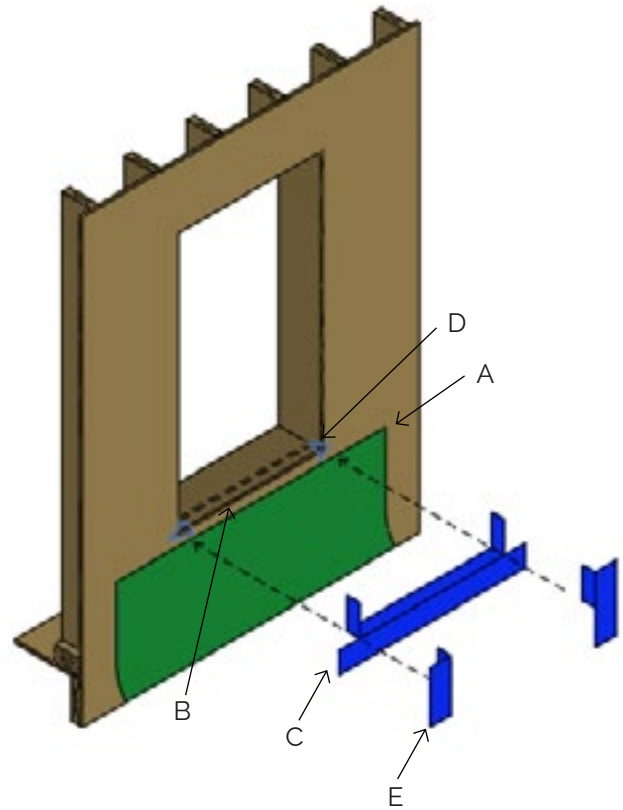


- D. Confirm that the product type and sizes match the confirmation drawings.
- E. Check for damage such as cracked frames or paint scratches. Document any damage with photos before installation.

F. **IMPORTANT**
Leave any protective film in place until installation is complete. The film must be removed immediately after installation to prevent UV degradation, which could cause it to adhere to the aluminum frame.

PREPARE ROUGH OPENING

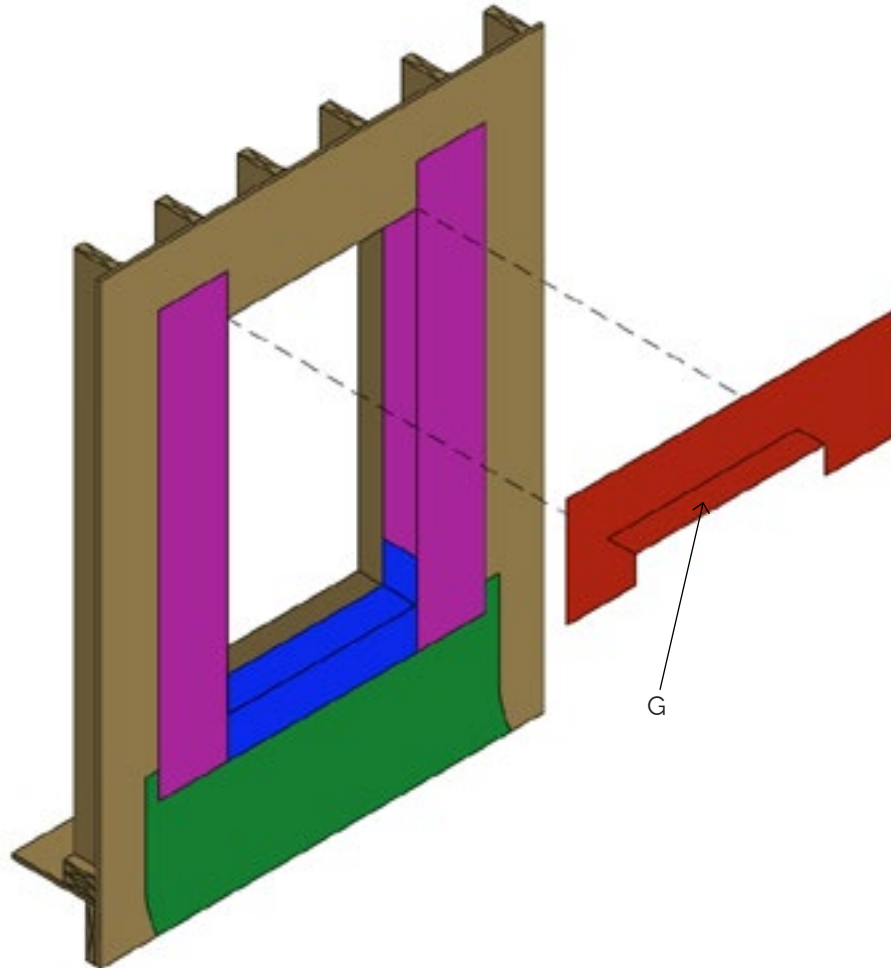
- A. Install a 16" starter strip of WRB/AB (Tyvek) 1" below the sill rough opening.
- B. Apply a 1-1/4" wide strip of primer along the top of the sill, extending 6" up the jamb and 4" down the face.
- C. Install PW100 membrane on the window sill using a minimum 6" strip, ensuring a 4" downturn. (Refer to picture for cut style.)
- D. Apply a wedge-shaped JS500 gusset at the rough opening sill corners, ensuring the area is primed first.
- E. Prime the surface before installing PW100 membrane 6" up the jambs with 4" downturns. (Refer to picture.)



- F. Apply a single-ply of WRB/AB (VP100) 6" wide to the window jamb rough opening. (Refer to picture.)

CONTINUED

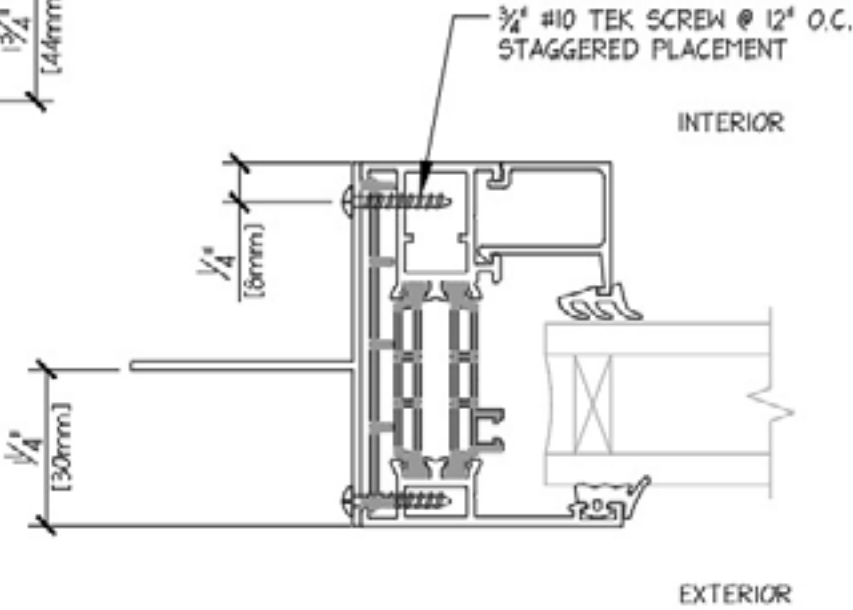
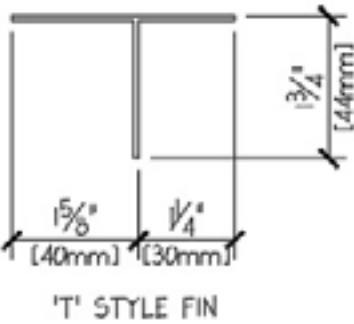
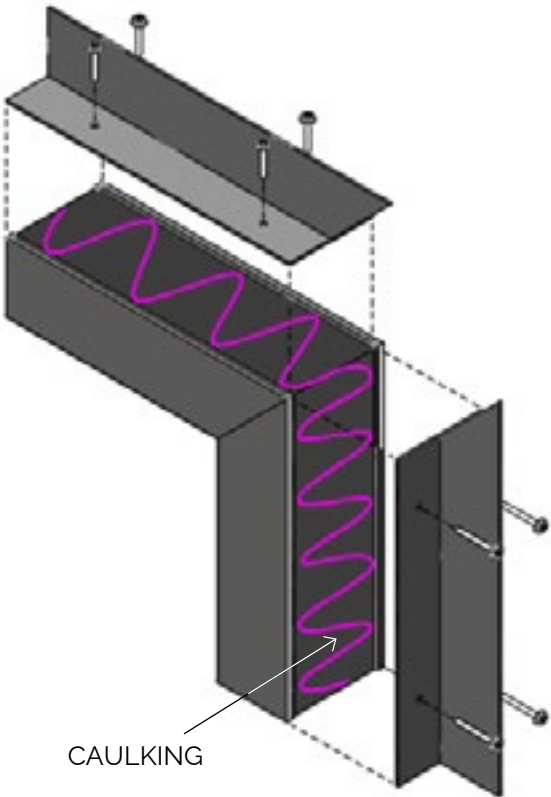
PREPARE ROUGH OPENING



- G. Apply a single-ply of WRB/AB (VP100) to the head of the rough opening.
- H. Make a relief cut and tuck the WRB/AB (VP100) flap under the head of the opening.

PREPARE EXISTING WINDOW FRAME

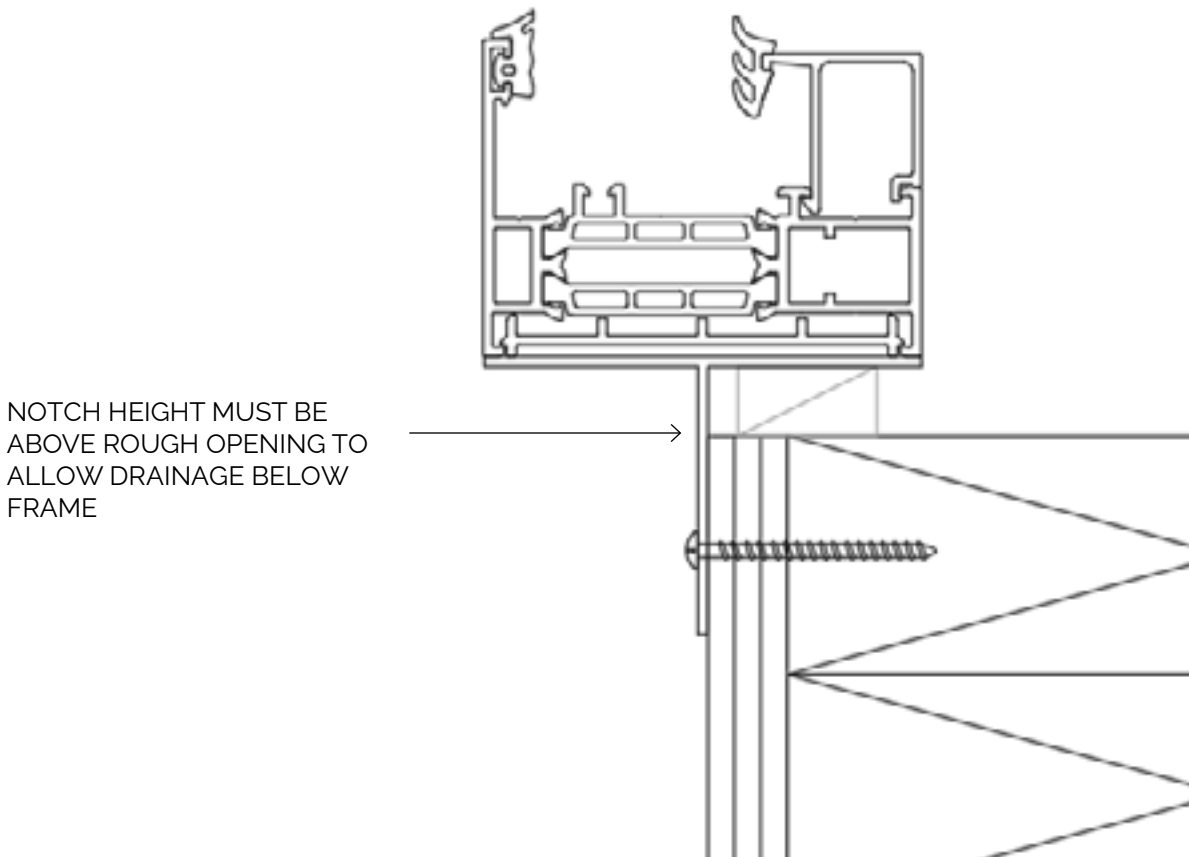
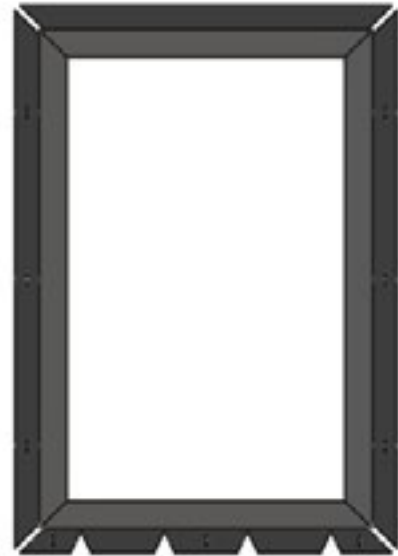
- A. Apply Dow 795 (or an equivalent sealant) in a squiggled bead along the outer perimeter of the frame.
- B. Fasten the nail fin using #10 3/4" Tek screws at 12" o.c. Ensure the nail fin leg is 1-1/4" from the exterior face of the window.



CONTINUED

PREPARE EXISTING WINDOW FRAME

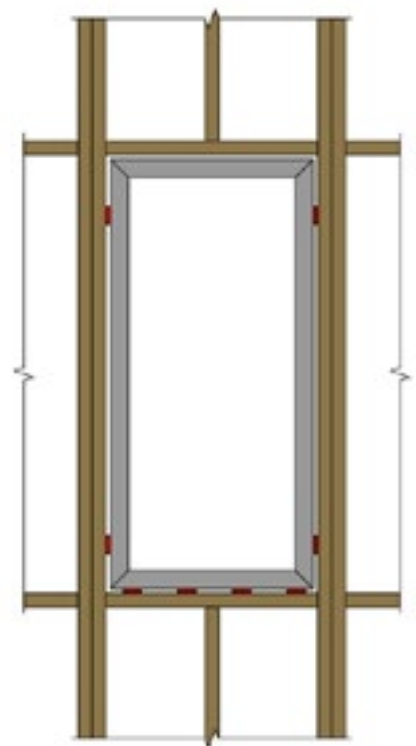
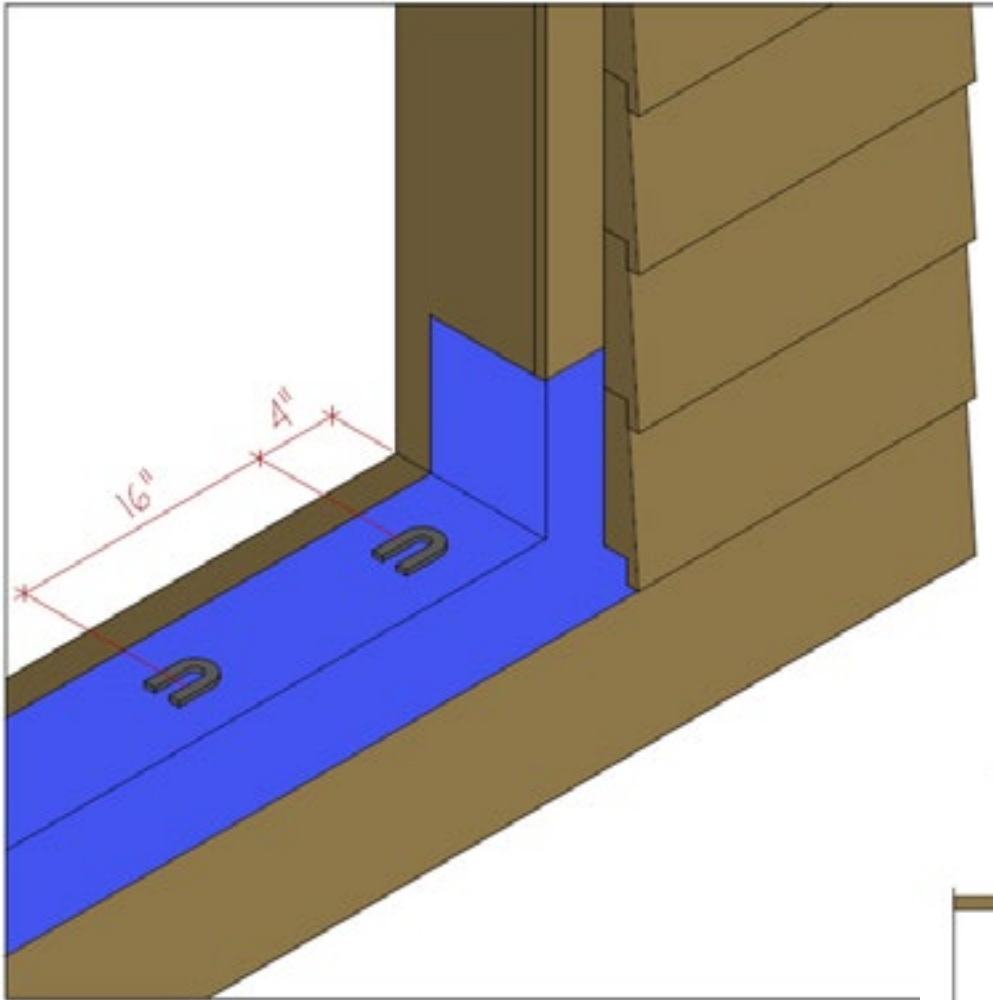
- C. For the head nail fin, do not predrill holes or use screws. Instead, install header clips to allow for deflection.
- D. For the jambs, predrill $\frac{1}{4}$ " diameter holes every 12", starting 4" from each edge.
- E. For the sill, notch out the bottom of the nail fin with tin snips to allow for drainage. Add notches 6" from the edge or directly below each weep hole. The notch height should match the bottom of the window to allow drainage below the frame. Use Tek screws to fasten the sill nail fin between notches.



NOTCH HEIGHT MUST BE ABOVE ROUGH OPENING TO ALLOW DRAINAGE BELOW FRAME

INSTALL WINDOW

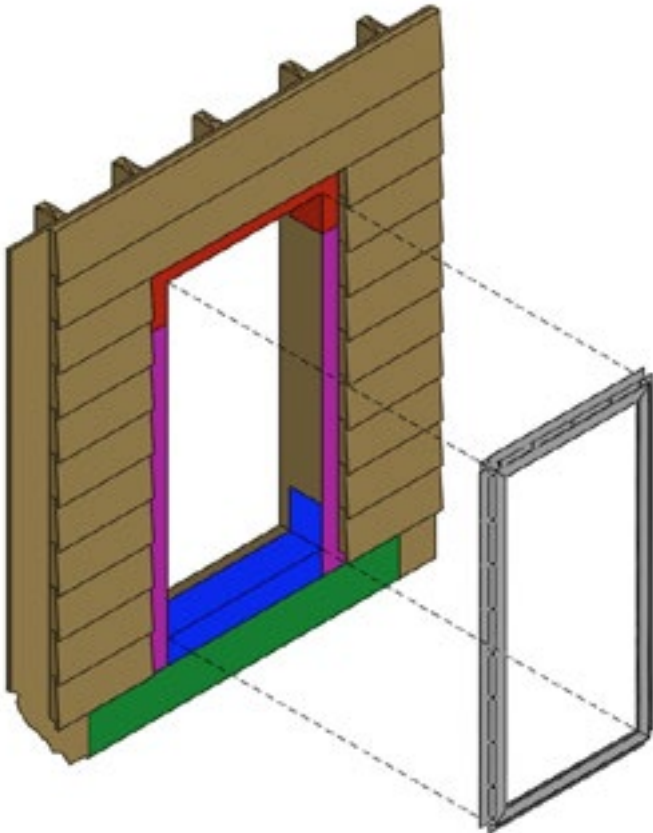
- A. Place non-compressible load-bearing shims every 16" and 4" from each jamb edge.



CONTINUED

INSTALL WINDOW

- B. Insert the window into the opening and ensure it is centered.

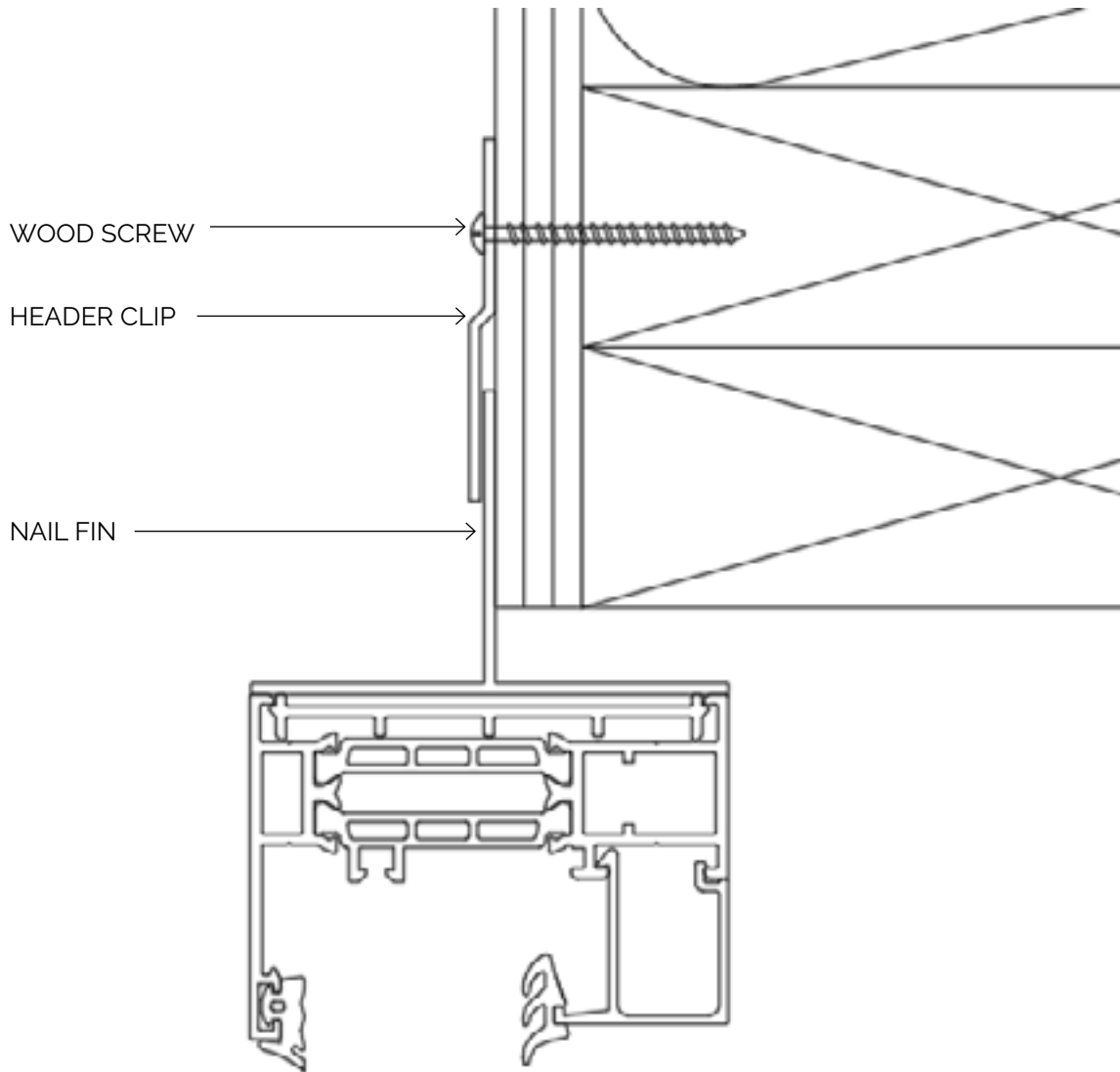


- C. Plumb and level the frame by shimming behind the nail fin at screw points. Use horseshoe shims around screws.
- D. Improper shim placement may result in bowing at the bottom of the frame.

CONTINUED

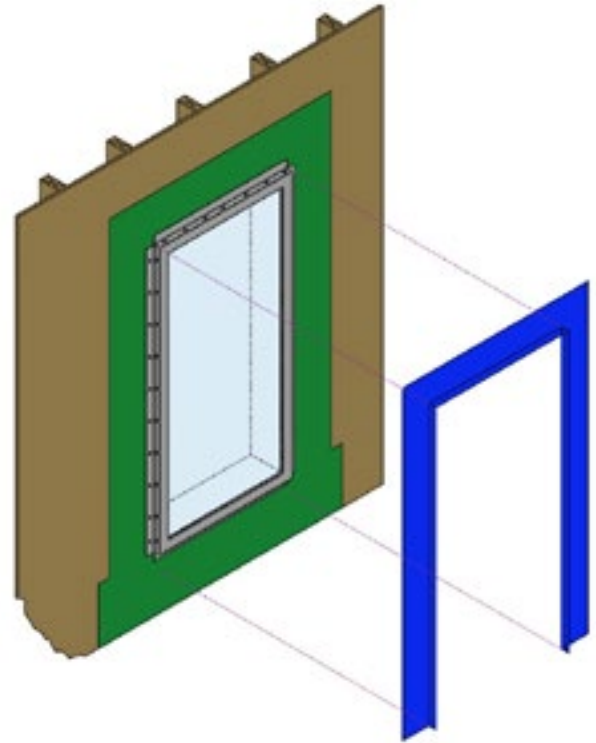
INSTALL WINDOW

- E. Do not add screws to the head of the window—install header clips instead.

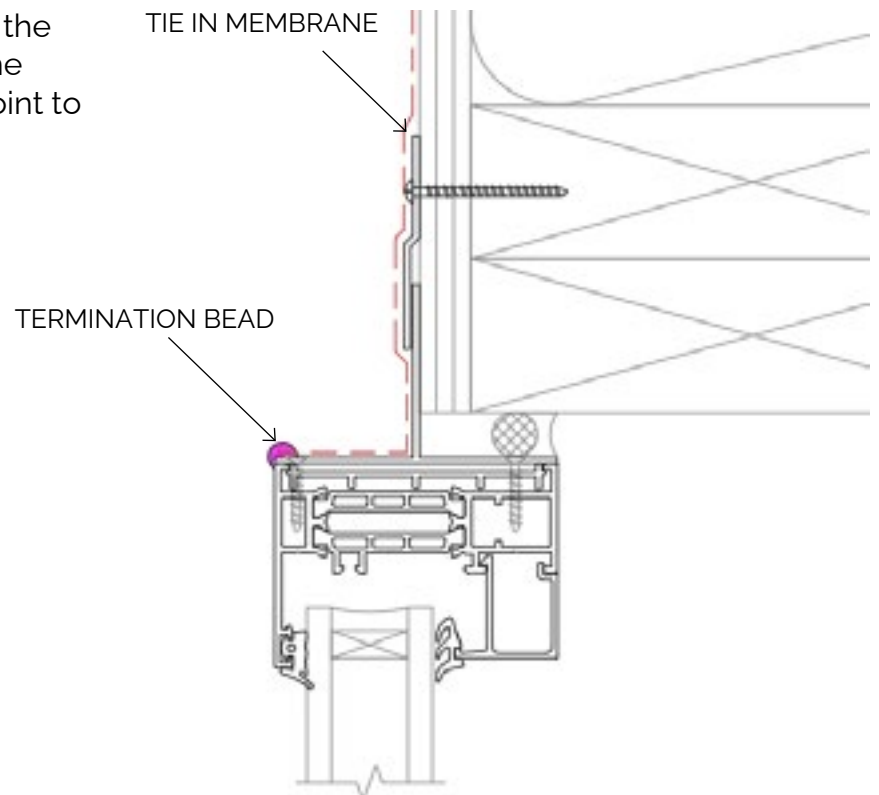


TIE-IN

- A. Prime the exterior surface of the nail fin and building wrap, then apply a 6" VP100 membrane. The VP100 must cover all screw holes and overlap the building wrap.

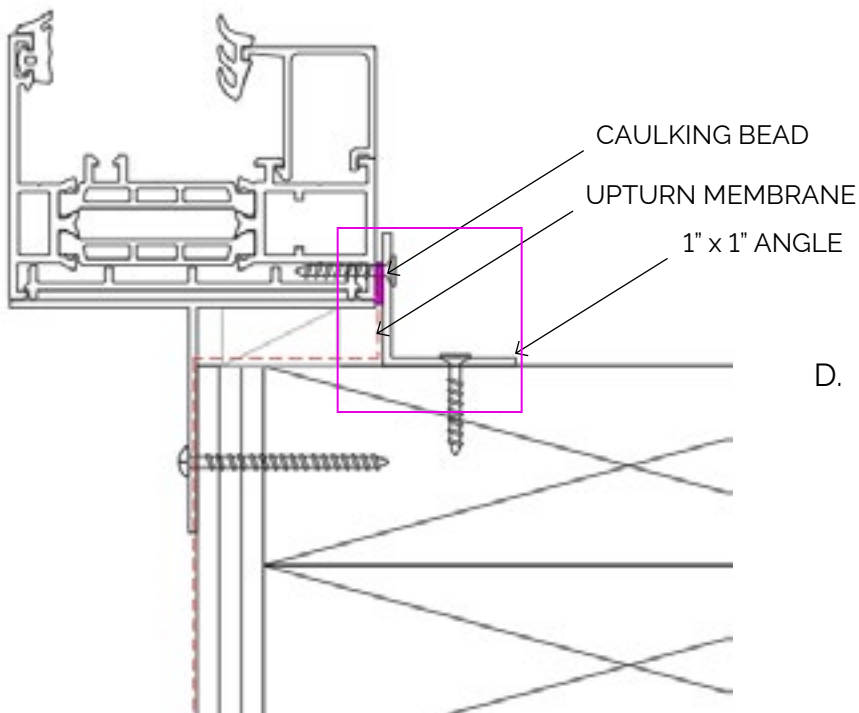
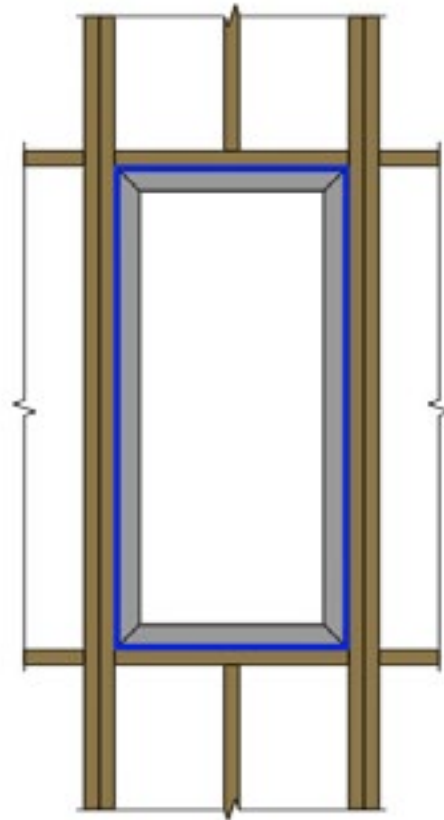


- B. Apply a termination bead at the edge of the membrane to the nail fin/frame connection point to ensure a complete seal.



INTERIOR SEALANT INSTRUCTIONS

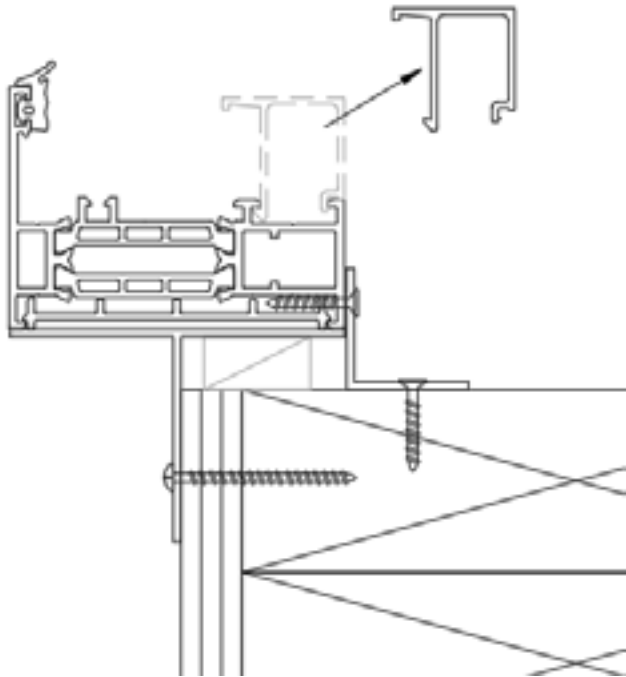
- A. Add continuous backer rod to the jambs and head. Use a high-quality, low-odor interior sealant such as DOW 795 or Spectrum 2 for residential applications.
- B. Apply a continuous bead between the frame and opening along all 4 sides of the window.
- C. Optional: Add a silicone bead no higher than $\frac{1}{4}$ " along the interior sill face. Flip up any unadhered portion of the sill membrane and stick it to the caulking bead. Cut and install a 1" x 1" angle, fitting it tightly against the window sill. Fasten the upstand dam angle into the sill plate using #10 1" wood screws placed 4" from each end and 12" o.c. (Refer to sketch.)



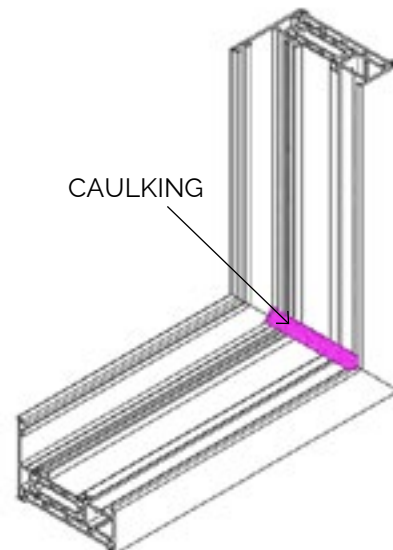
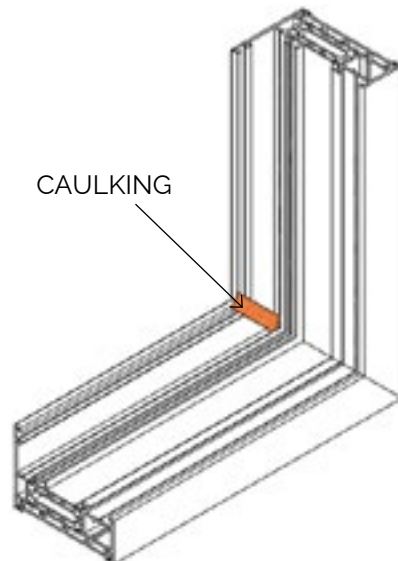
- D. Tool the silicone to ensure it is flush with the interior face.

GLAZE FIXED WINDOWS

- A. Remove the glass stop from the frame.

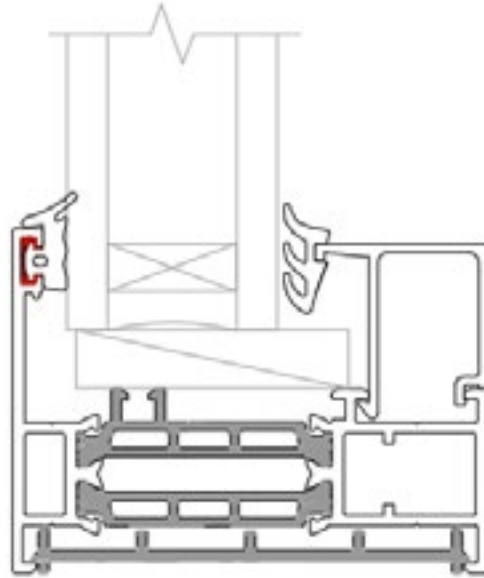


- B. Apply a smear bead in the bottom cavity corners along the entire depth of the frame.

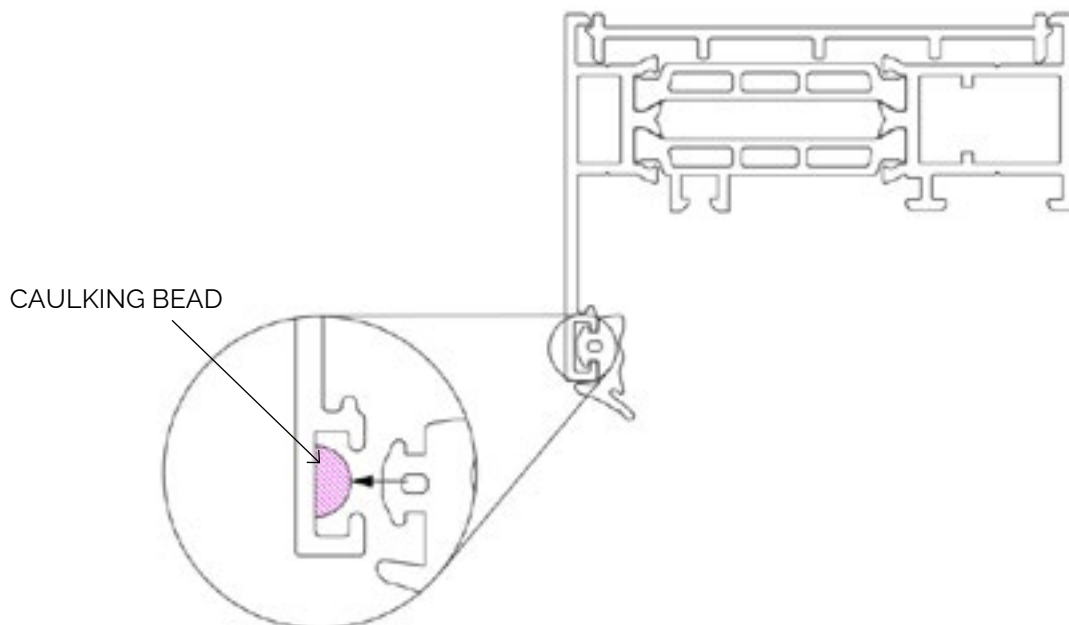


CONTINUED

GLAZE FIXED WINDOWS

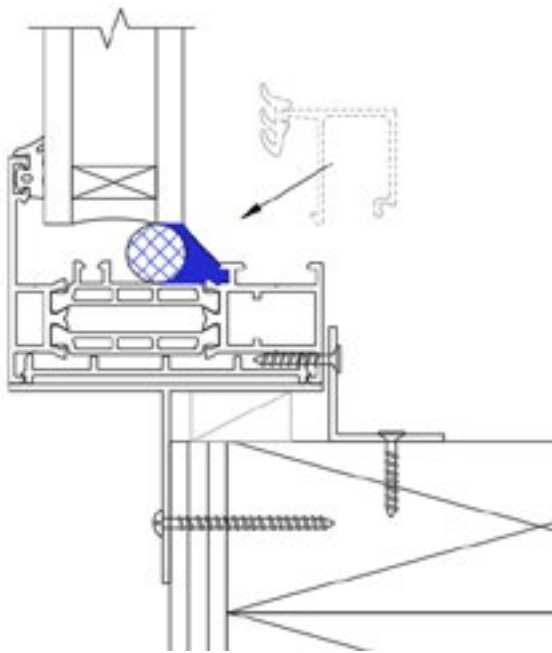


- C. Place glazing shims along the sill cavity, 4" from either side and every 8" in between. Use a dab of caulking under each shim to prevent movement.
- D. Add a small dab of caulking behind the facing gasket at the corners to prevent future movement.

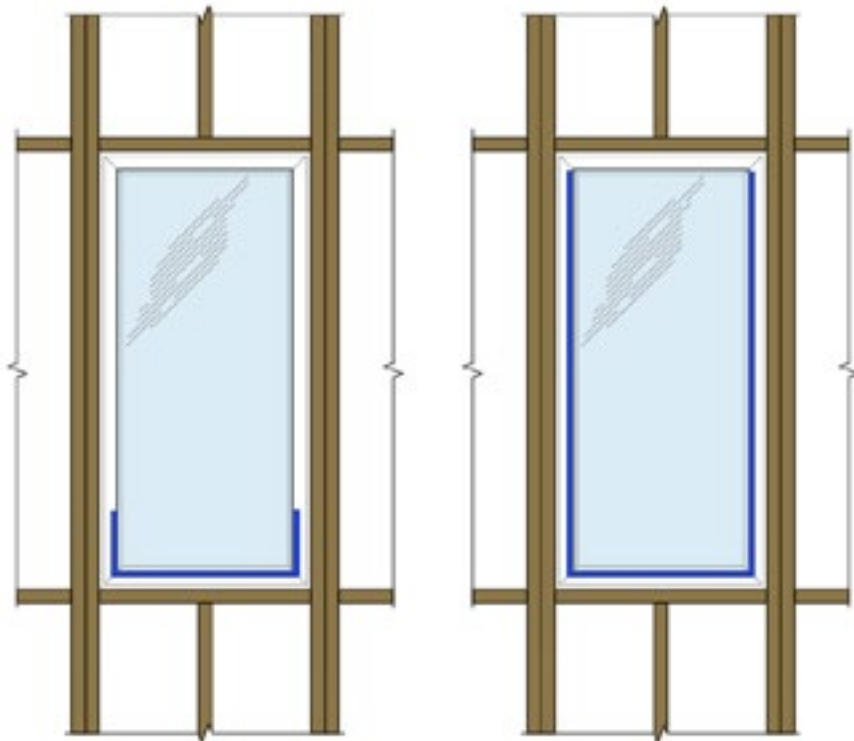


CONTINUED

GLAZE FIXED WINDOWS



- E. Insert the glazing unit into the frame, ensuring it is centered horizontally and vertically.
- F. Apply backer rod and caulking along the interior sill cavity and 12" up both jambs.
- G. For frames exceeding 55 sqft, apply backer rod and caulking along the full height of the jambs.
- H. Never add sealant to the top of the glazing unit.
- I. Reattach the glazing stop to complete the glazing installation.





CONTACT

aeroframe.com
1-877-323-7263

US Office
Suite 110 – 22745 29th Drive SE,
Bothell, WA 98021
USA

Canada Office
Jameson House, 838 W Hastings St #600,
Vancouver, BC V6C 0A6
Canada