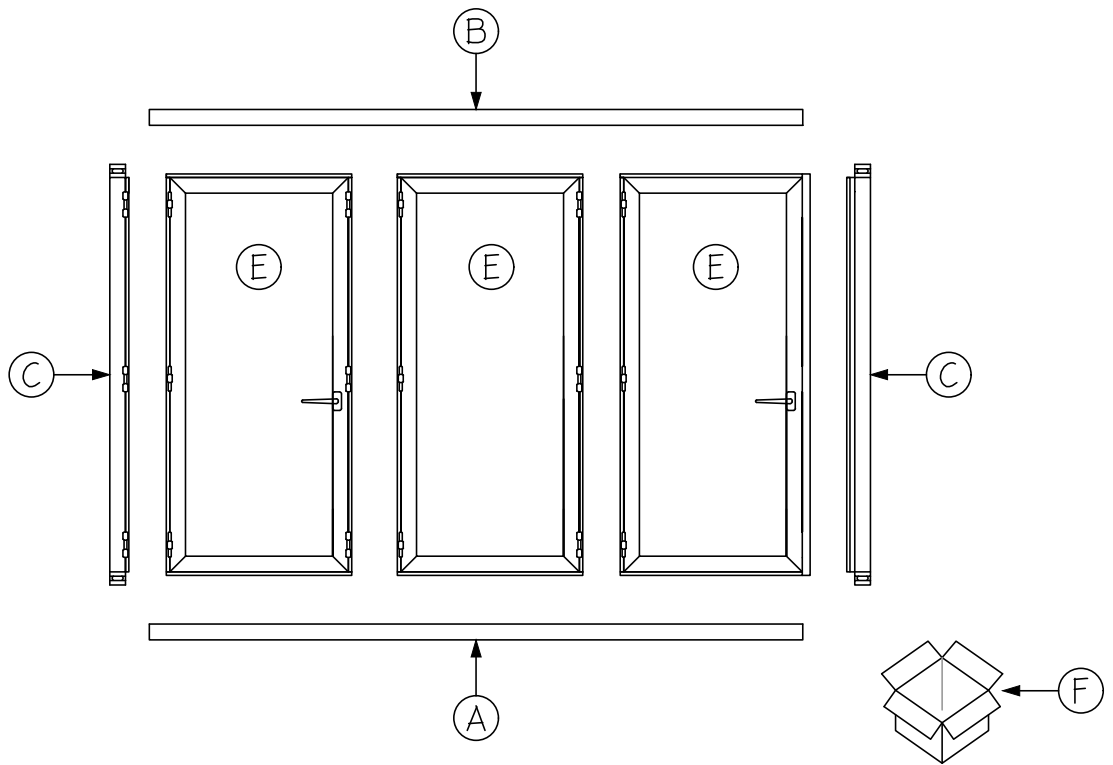




AEROFOLD 55 ASSEMBLY MANUAL





(A) SILL TRACK (LOOSE)



(B) HEAD TRACK (LOOSE)



(C) HINGE JAMB (COMES ATTACHED TO DOOR LEAF)



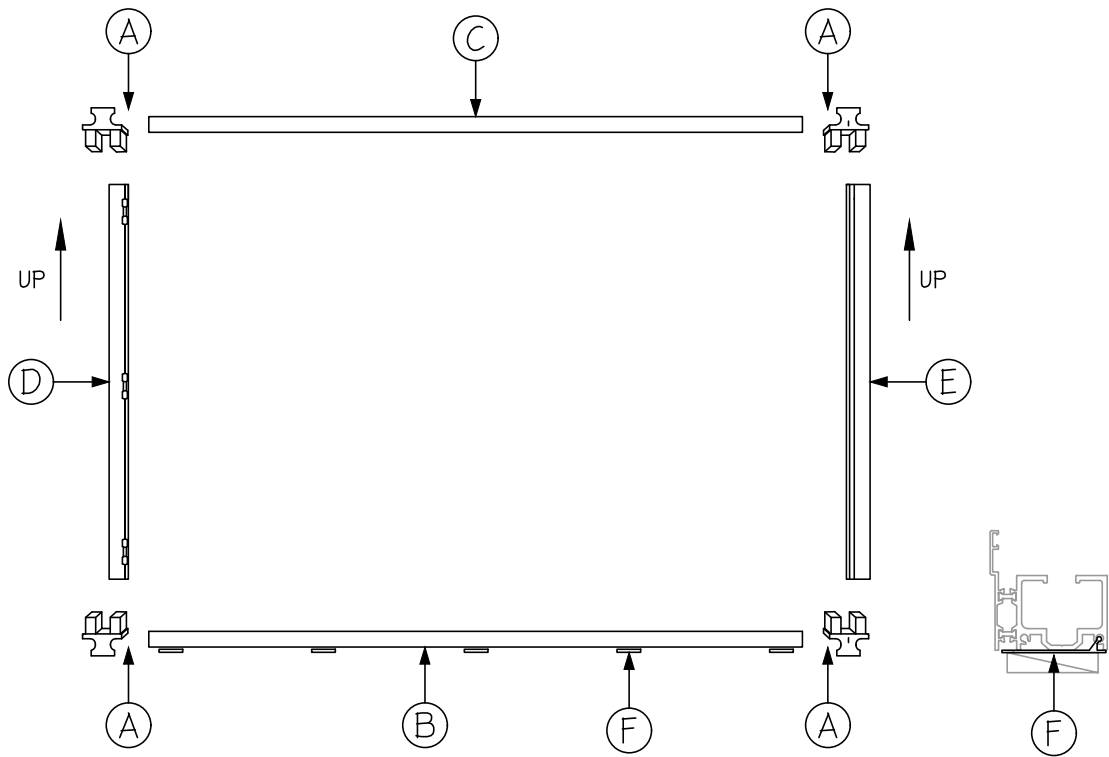
(D) STRIKE JAMB (LOOSE)



(E) DOOR PANELS (GENERIC)

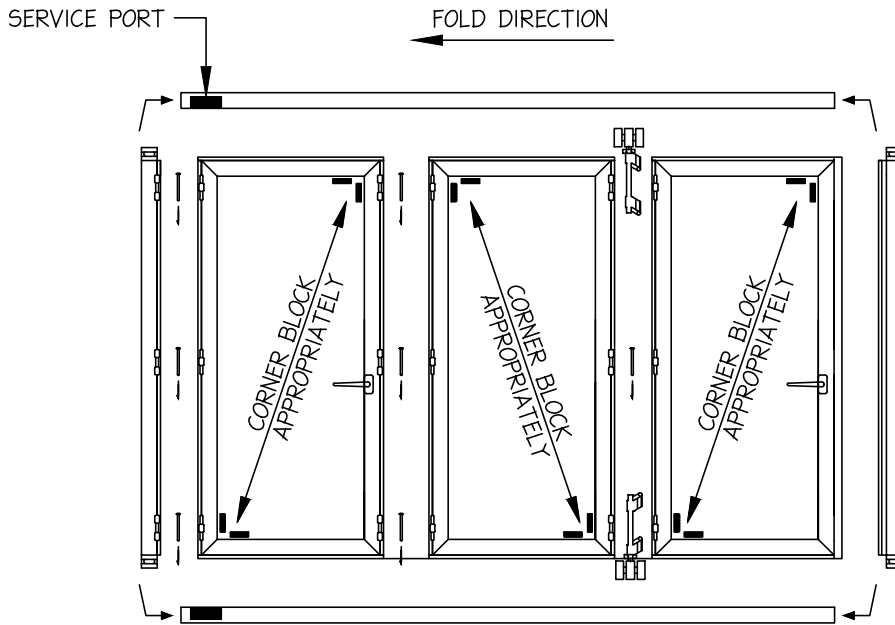


(F) MISC. PARTS BOX



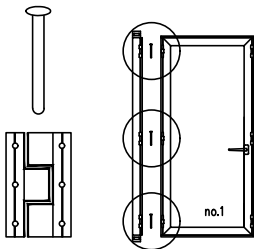
ASSEMBLY PROCEDURE

- (A) INSERT CORNER KEYS INTO JAMBS AND SLIDE INTO HEAD AND SILL
- (B) SILL TRACK - FASTEN AND INSTALL SILL TRACK LEVEL AND PLUMB WITH HEAD TRACK AS PER INSTALLATION DETAILS.
- (C) HEAD TRACK - FASTEN AND INSTALL HEAD TRACK LEVEL AND PLUMB WITH SILL TRACK AS PER INSTALLATION DETAILS.
- (D) HINGE JAMB - SLIDE INTO APPROXIMATE POSITION AGAINST WALL AND TEMPORARY FASTEN.
- (E) STRIKE JAMB - SLIDE INTO APPROXIMATE POSITION AGAINST WALL AND TEMPORARY FASTEN.
- (F) ENSURE SHIM PADS ARE IN LOCATIONS ALIGNED WITH SHIMS

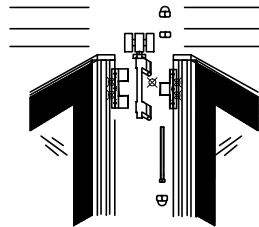


REFER TO GLAZING GUIDELINES FOR HEEL BEAD DETAILS

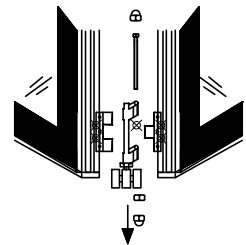
ASSEMBLY ORDER



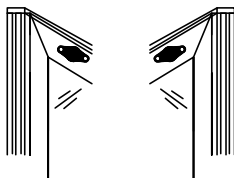
① INSERT HINGE PINS AS REQUIRED



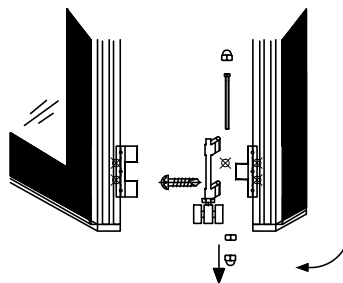
② AS PER IMAGE ABOVE, ASSEMBLE TOP RUNNER



③ AS PER IMAGE ABOVE, ASSEMBLE BOTTOM RUNNER



④ INSTALL PANEL CLASP



⑤ PULL RUNNING POST IN LINE WITH SILL AND FASTEN TO BOTTOM RUNNER BY DRILLING A PILOT HOLE IN THE RUNNER AND FASTENING WITH SELF TAPING SCREW.





CONTACT

aeroframe.com
1-877-323-7263

US Office
Suite 110 – 22745 29th Drive SE,
Bothell, WA 98021
USA

Canada Office
Jameson House, 838 W Hastings St #700,
Vancouver, BC V6C 0A6
Canada